



PV212

Druck hydraulic hand pump

The PV212 is a high quality hand pump designed to quickly and easily generate hydraulic pressures. The materials of construction make it compatible with most fluid media and an optional seal kit can be supplied for many applications. The built-in vernier provides excellent control and is easy to adjust even at high pressures.

The dual stage pump includes a selector valve which increases the priming speed and greatly reduces the effort required to generate high pressures. An optional pressure relief valve can be supplied to provide protection to connected instruments (Included in 104 and 104S test kits).

Features

- Pressures to 700 bar (10,000 psi) or 1,000 bar (15,000 psi)
- Compatible with distilled water or mineral oil
- Quick priming and pressure generation
- Hydraulic pressure sources for pressures up to 1,000 bar (15,000 psi)
- 100 CC transparent reservoir which can be filled during operation
- Vernier adjust for fine control
- Optional pressure release valves offers outstanding control for decreasing pressures

PV212 specifications

(See Page 4 for ordering information)

General

Pressure ranges

PV212-22: 0 to 700 bar (0 to 10,000 psi)

PV212-23: 0 to 1000 bar (0 to 15,000 psi)

Materials

Series 300 stainless steel, brass, nickel plated brass, polyester, nitrile, polyurethane and PTFE

Fluid media

Mineral oil, distilled water

Dimensions (L x W x D)

23 cm x 16 cm x 7 cm (9 in. x 6.25 in. x 2.75 in.)

Weight

Approximately 1.6 kg (3.5 lb).

PV212 accessories specifications

HK212 high pressure hose kit specifications

The HK212 are high quality pressure hose kits designed to operate with the PV212. The standard stainless steel/nylon construction is suitable for use with oil, alcohol or water.

Self-sealing fittings—finger tight connections

- Low volumetric expansion—negligible pressure drop
- Heavy duty construction

Working pressure

1000 bar (15,000 psi)

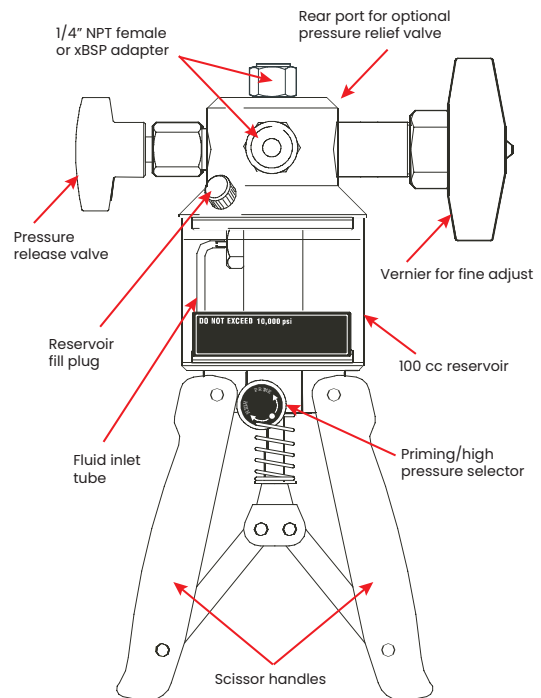
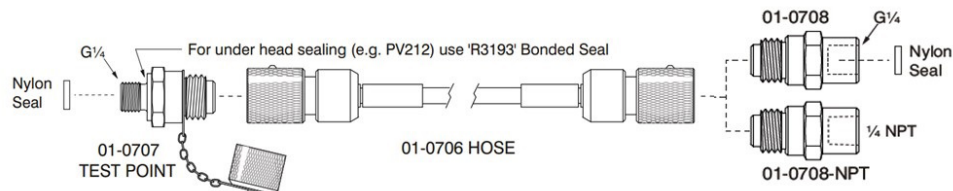
Minimum burst pressure

2500 bar (36,200 psi)

Pressure connections

B : BSP

N : NPT



PV212-X components

Minimum bend radius

5.7 cm (2.25 in.)

Working temperature

-30°C to 80°C (-22°F to 176°F)

Construction

Nylon, stainless steel, brass, PTFE, nitrile

Outer diameter

6.4 mm (0.25 in.)

Bore

3.3 mm (0.13 in.)

Fluids

Mineral oil and distilled water

PRV212 adjustable pressure relief valve specifications

The PRV212 is a pressure relief valve designed for use with the PV212 Series of hydraulic hand pumps to provide overpressure protection to instruments under test. The PRV212 mounts directly on to the PV212 and is supplied in factory preset configurations which can be user adjusted.

Material

303 stainless steel

Inlet connection

G 1/4" male

Seals

Polyurethane, PTFE, nitrile, nylon.

Maximum working pressure

1000 bar (15,000 psi)

Dimensions

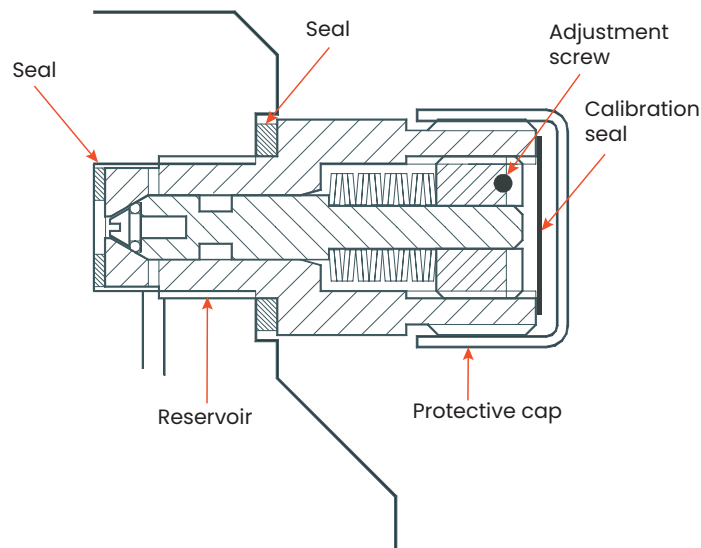
4 cm x 2.2 cm diameter (1.6 in. x .87 in.)

Weight

62 g (2.1 oz)

Accuracy/repeatability

±10% nominal setting



PV212 adapter sets

PV212-ADAPTORS1 - (PV212 set of BSP to BSP adapters)

- 1/4" BSP male x 1/8" BSP male
- 1/4" BSP male x 1/8" BSP female
- 1/4" BSP male x 3/8" BSP female
- 1/4" BSP male x 1/2" BSP female
- 1/4" BSP male x 1/4" BSP male

PV212-ADAPTORS2 - (PV212 set of BSP to NPT adapters)

- 1/4" BSP male x 1/2" NPT female
- 1/4" BSP male x 3/8" NPT female
- 1/4" BSP male x 1/8" NPT female
- 1/4" BSP male x 1/4" NPT female
- 1/4" BSP male x 1/4" BSP male
- 1/4" BSP male x 1/4" NPT male

PV212-ADAPTORS3 - (PV212 set of NPT to NPT adapters)

- 1/42 NPT male x 1/4" NPT male
- 1/4" NPT male x 1/8" NPT male
- 1/4" NPT male x 1/8" NPT female
- 1/4" NPT male x 3/8" NPT female
- 1/4" NPT male x 1/2" NPT female
- 1/4" NPT male X 1/4" BSP female

Ordering information

Use this table to order "PV212-X"

| | | | | |
|--------------|---------------------------|---|--|------------------------------------|
| PV212 | PV212 hydraulic hand pump | | | |
| | -22 | 700 bar/10000 psi | | |
| | -23 | 1000 bar/15000 psi | | |
| | -P | Pump only | (Pump supplied in cardboard box, with basic BSP and NPT adapters) | |
| | -TK | Pump test kit | (Pump supplied in transit case with relevant adapter kit and hoses) | |
| | -104 | Pump test kit | (Pump supplied in transit case with relevant adapter kit, hoses, PRV, and DPI104) | |
| | -104S | Pump test kit | (Pump supplied in transit case with relevant adapter kit, hoses, PRV, and DPI104S) | |
| | -B | BSP (Only mandatory to select one if "TK, 104 or 104S" is selected) | | |
| | -N | NPT (Only mandatory to select one if "TK, 104 or 104S" is selected) | | |
| | -16A | See tables below if "104 or 104S" is selected | | |
| | -16G | See tables below if "104 or 104S" is selected | | |
| | -18S | See tables below if "104 or 104S" is selected | | |
| | -20S | See tables below if "104 or 104S" is selected | | |
| | -22S | See tables below if "104 or 104S" is selected | | |
| | -23S | See tables below if "104 or 104S" is selected | | |
| PV212 | -22 | -104S | -B | -16A (Typical model number) |

Other examples may be: **PV212-22-P** (pump only)
PV212-22-TK-B (pump kit with BSP fittings)
PV212-23-104S-B-16A (pump kit with BSP fittings and DPI104-IS)

DPI104/DPI104S pressure ranges for fitting B - BSP

| Code | Description |
|------|----------------------|
| 16A | 70 bar absolute |
| 16G | 70 bar gauge |
| 18S | 200 bar sealed gauge |
| 20S | 350 bar sealed gauge |
| 22S | 700 bar sealed gauge |

DPI104/DPI104S pressure ranges for fitting N - NPT

| Code | Description |
|------|------------------------|
| 16A | 1000 psi absolute |
| 16G | 1000 psi gauge |
| 18S | 3000 psi sealed gauge |
| 20S | 5000 psi sealed gauge |
| 22S | 10000 psi sealed gauge |
| 23S | 15000 psi sealed gauge |

DPI104/DPI104S pressure ranges for fitting B - BSP

| Code | Description |
|------|-----------------------|
| 23S | 1000 bar sealed gauge |

Accessories

(please order all items separately using the below part numbers)

| Part number | Description |
|-----------------|-------------------------------------|
| PV212-ADAPTORS1 | PV212 Set of BSP to BSP Adaptors |
| PV212-ADAPTORS2 | PV212 Set of BSP to NPT Adaptors |
| PV212-ADAPTORS3 | PV212 Set of NPT to NPT Adaptors |
| PV212-TC | PV212 transit case |
| PV212-SK | PV212 common service kit |
| HK212-B-1 | High pressure hose kit (1 m BSP) |
| HK212-B-2 | High pressure hose kit (2 m BSP) |
| HK212-N-1 | High pressure hose kit (1 m NPT) |
| HK212-N-2 | High pressure hose kit (2 m NPT) |
| PRV212-1 | Pressure relief valve 50 bar |
| PRV212-2 | Pressure relief valve 200 bar |
| PRV212-3 | Pressure relief valve 400 bar |
| PRV212-4 | Pressure relief valve 700 bar |
| PRV212-5 | Pressure relief valve 1000 bar |
| IS-PRVSK1 | PRV212 relief valve common seal kit |

Spares

(please order all items separately using the below part numbers)

| Part number | Description |
|------------------|--|
| PV212A12IM2038-1 | PV212-22 fine control assembly 700 bar |
| PV212A12IM2038-2 | PV212-23 fine control assembly 1000 bar |
| PV212A12IM2038-3 | PV212-22 handle/piston assembly 700 bar |
| PV212A12IM2038-4 | PV212-23 handle/piston assembly 1000 bar |
| PV212A12IM2038-5 | PV212 common release valve assembly |
| PV212A12IM2038-6 | PV212 pump labels |
| PV212-SK-FULL | PV212 common seal kit |

Delivering world class
pressure measurement
and calibration technology



2026 Copyright by Druck Limited. All rights reserved.

920-226E
BHCS38680B (02/2026)